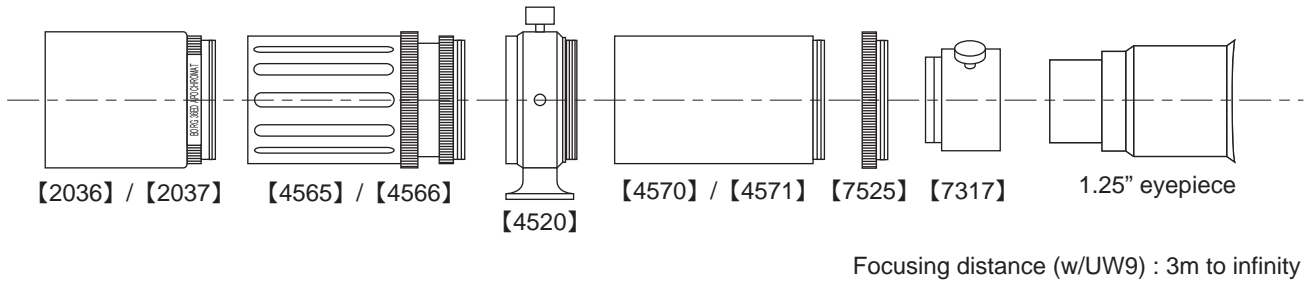
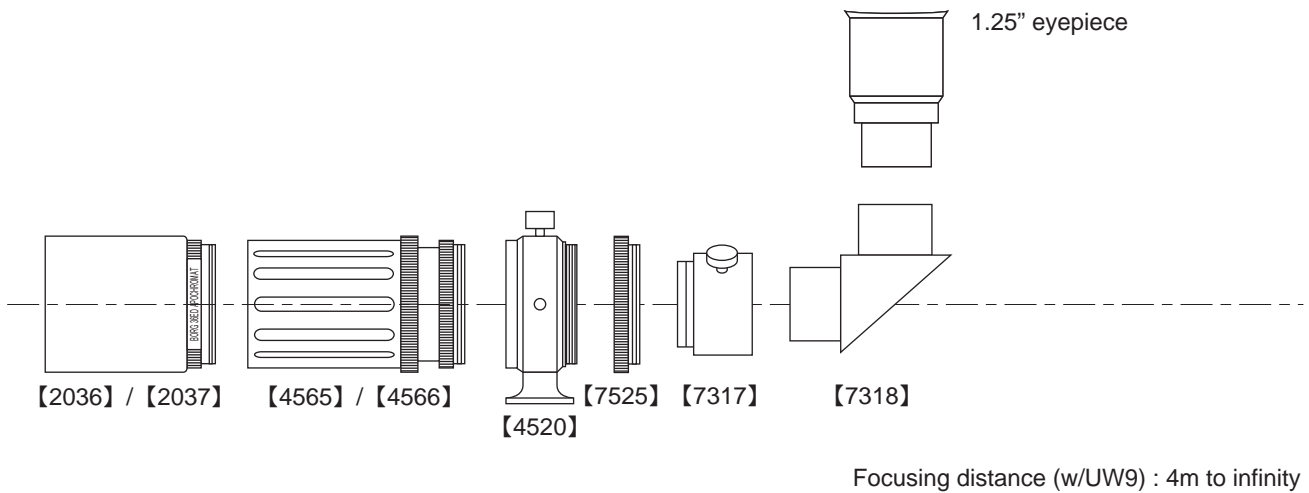


# 36ED visual system configurations

## ◆ Straight-through

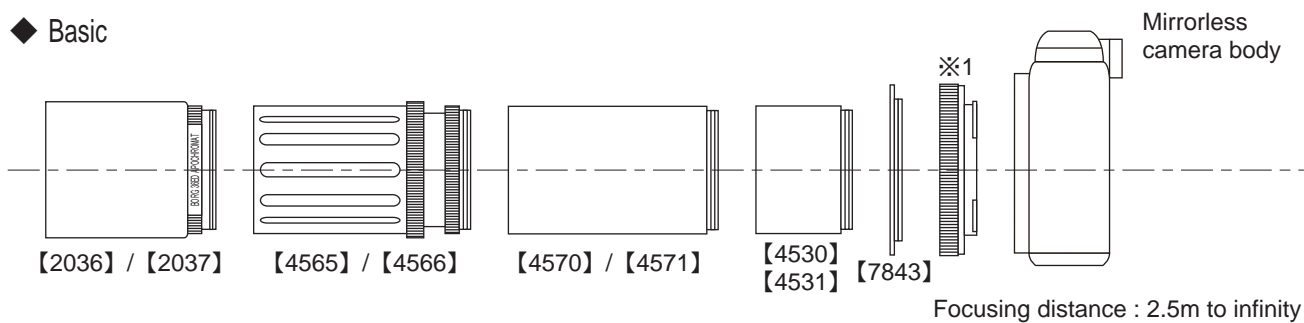


## ◆ With 1.25" diagonal

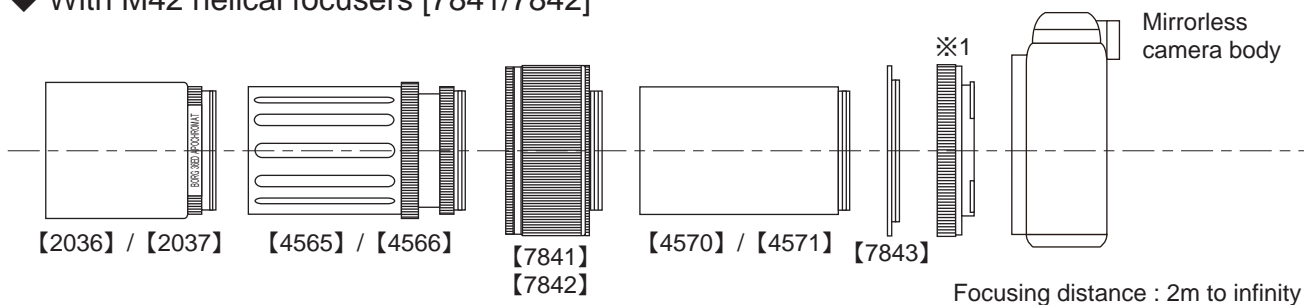


# ■ 36ED imaging system configurations for mirrorless cameras

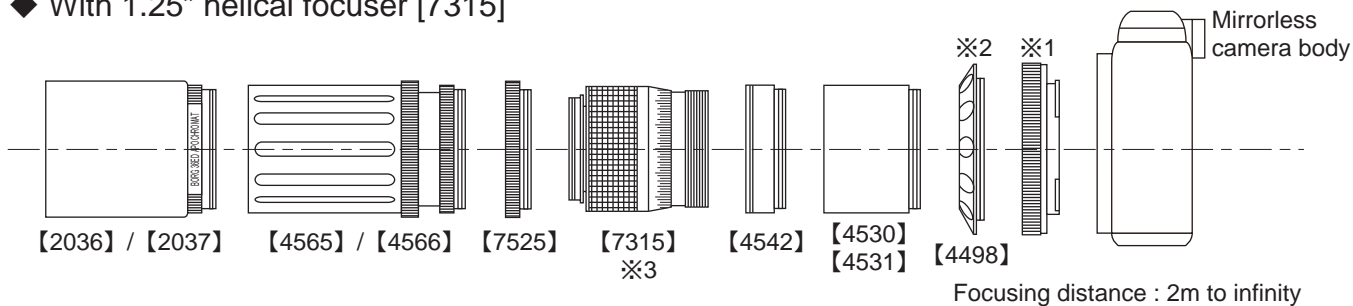
## ◆ Basic



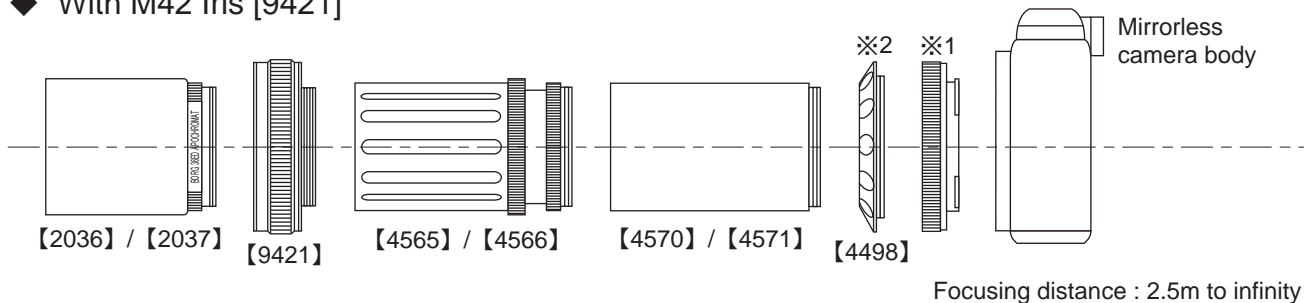
## ◆ With M42 helical focusers [7841/7842]



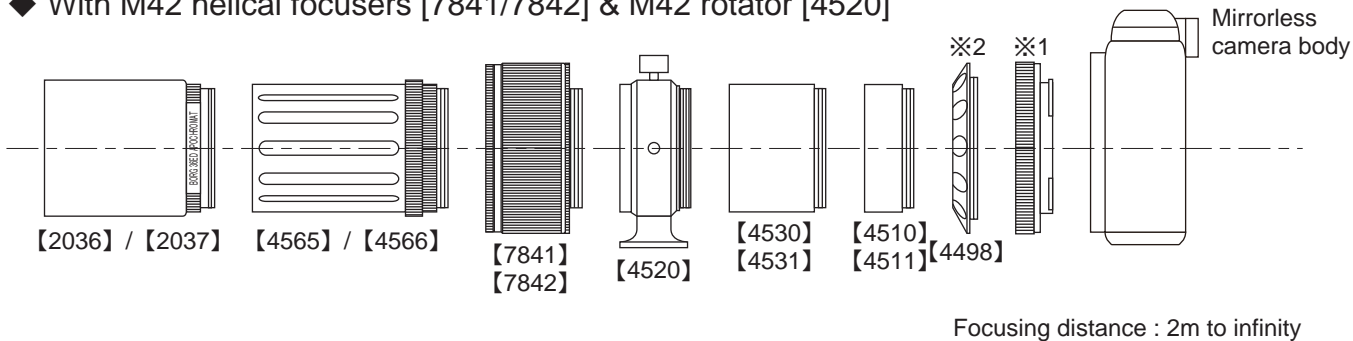
## ◆ With 1.25" helical focuser [7315]



## ◆ With M42 Iris [9421]



## ◆ With M42 helical focusers [7841/7842] & M42 rotator [4520]



※1 Mirrorless camera mount adapters [5011] to [5017]

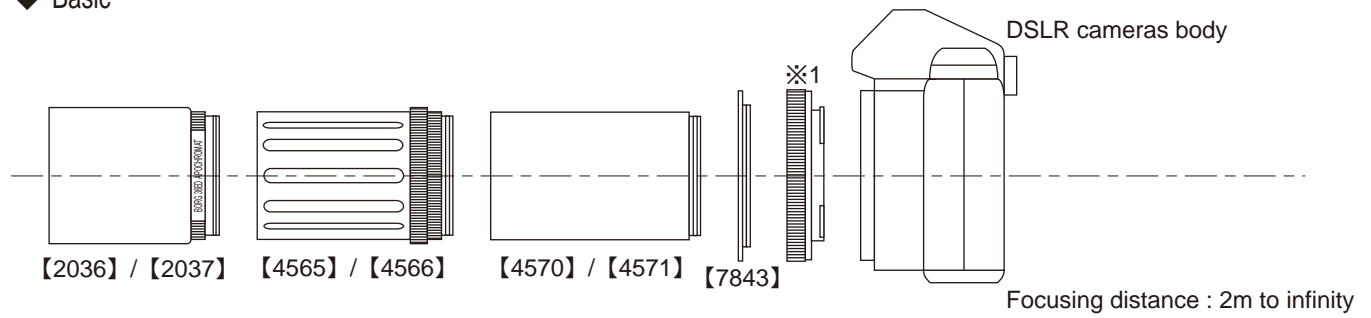
※2 M42P1→M49.8AD [7843] may be replaced

※3 The 7315 thumbscrews are not used when connected to M42P0.75-M42P1ADII [4542]

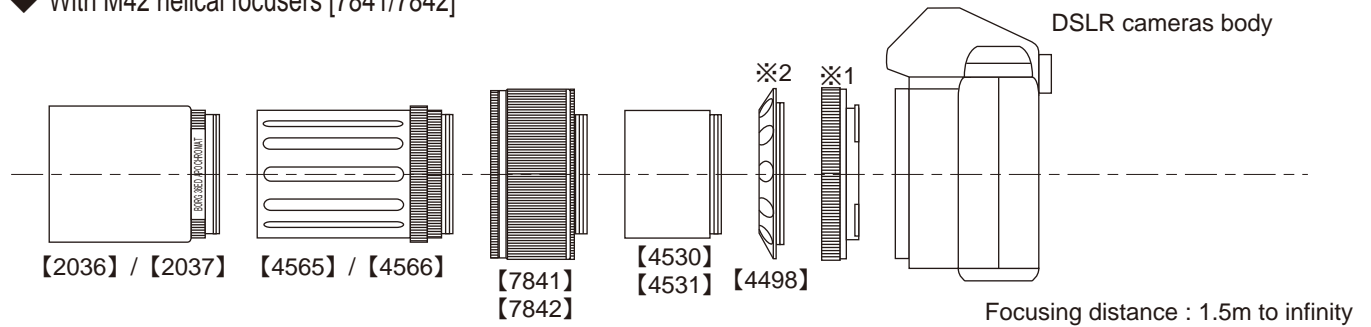
Anti-reflection sheet is recommended to be set inside 7315.

# ■ 36ED imaging system configurations for DSLR cameras

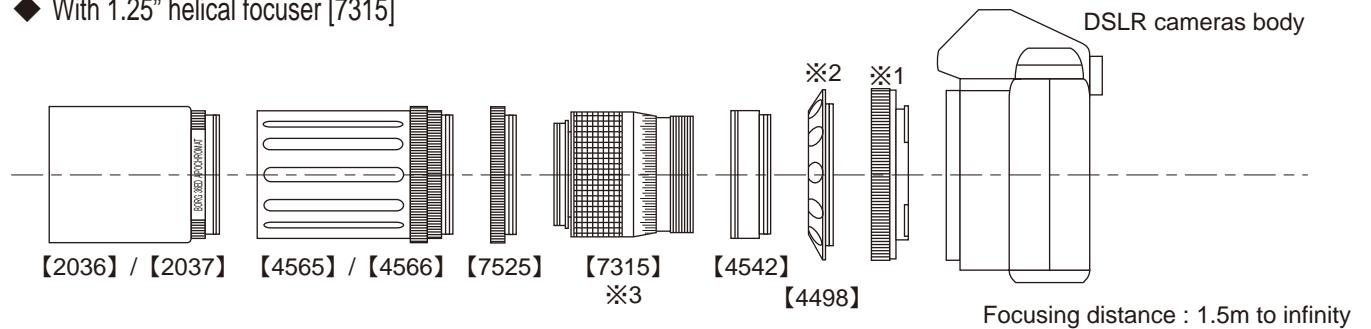
## ◆ Basic



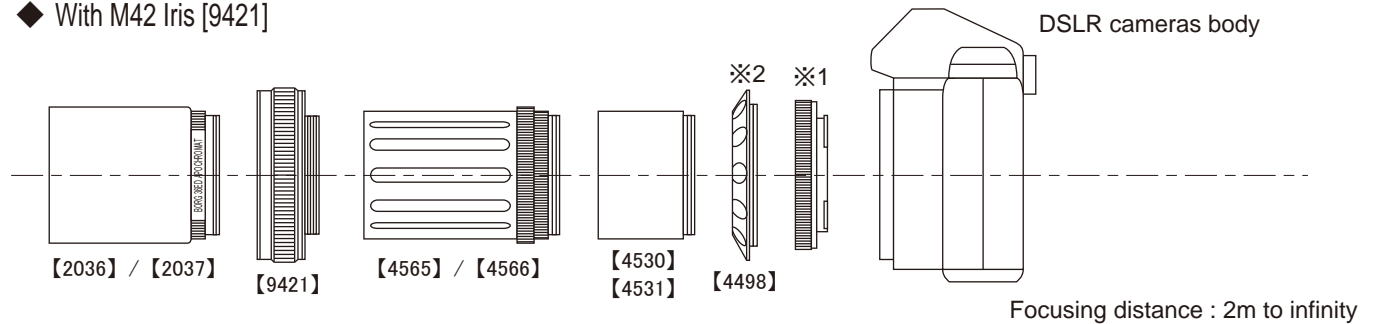
## ◆ With M42 helical focusers [7841/7842]



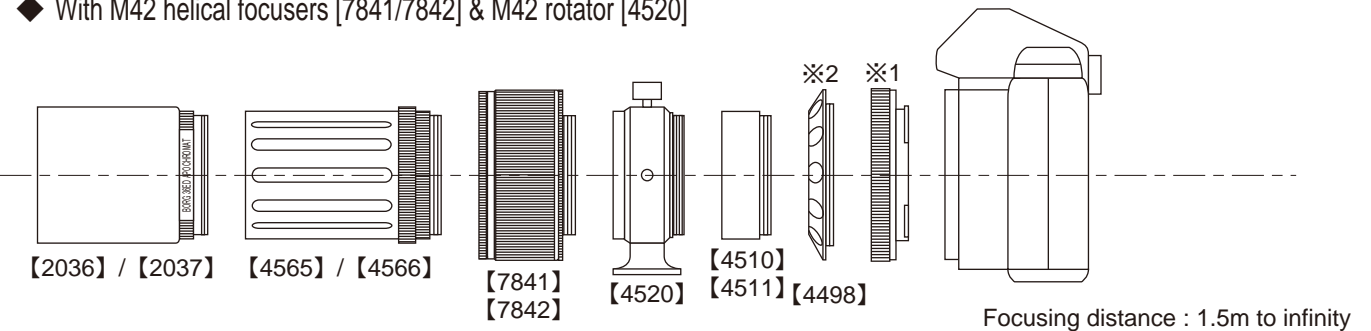
## ◆ With 1.25" helical focuser [7315]



## ◆ With M42 Iris [9421]



## ◆ With M42 helical focusers [7841/7842] & M42 rotator [4520]



※1 Mirrorless camera mount adapters [5002] to [5011] & [50021]

※2 M42P1→M49.8AD [7843] may be replaced

※3 The 7315 thumbscrews are not used when connected to M42P0.75-M42P1ADII [4542]  
Anti-reflection sheet is recommended to be set inside 7315.