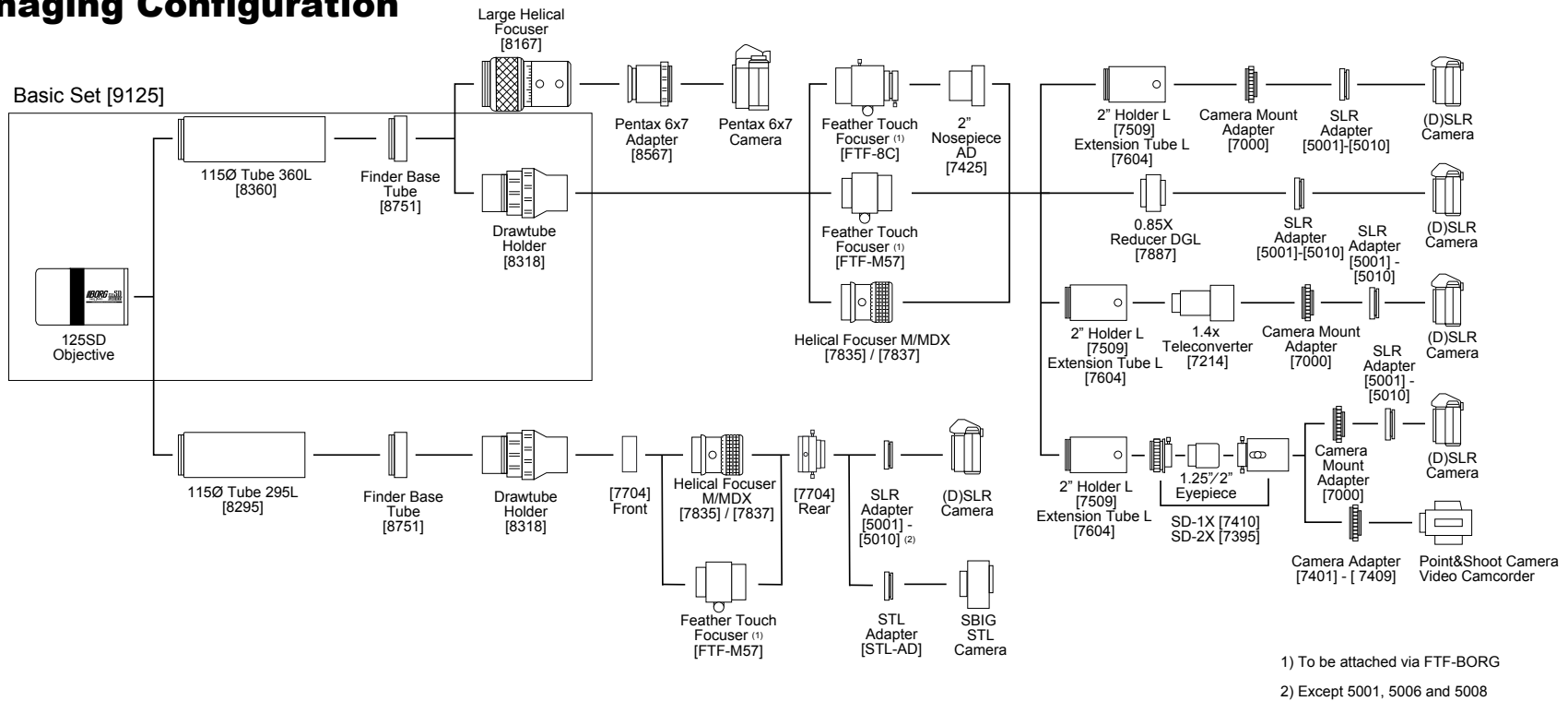


Imaging Configuration



Visual Configuration

